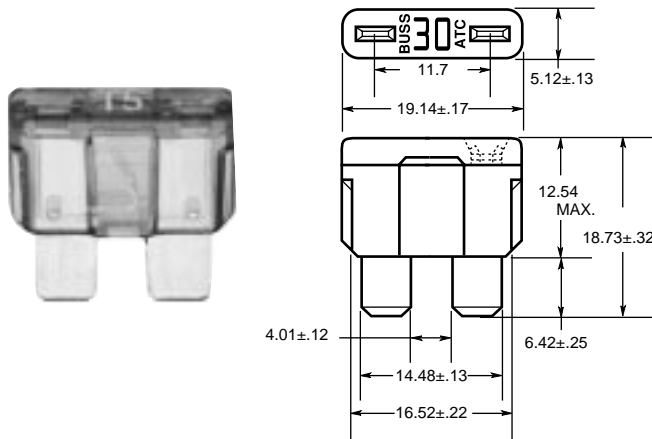


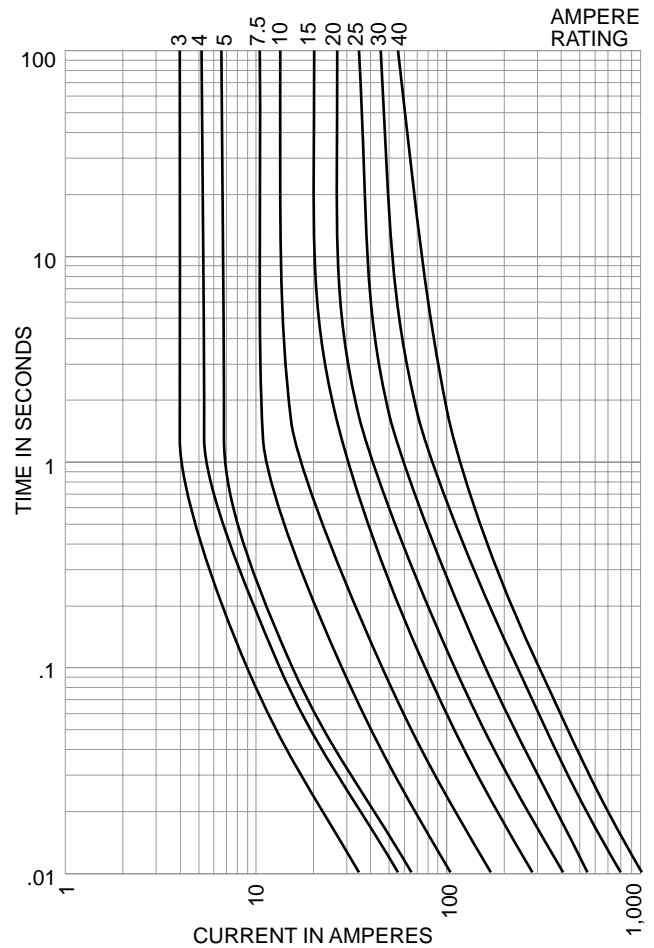
# Automotive Blade-Type Fuses

## 32 Volts DC, 1 to 40 Amps

### Dimensional Data



### Time-Current Characteristic Curves—Average Melt



Catalog Symbol: ATC  
 Fast-Acting  
 Ampere Rating: 1 to 40 Amperes  
 Voltage Rating: 32 Volts DC (or less)  
 Interrupting Rating: 1,000 Amperes  
 Agency Approvals: U.L. Recognized, (3-40A)  
 Guide JFHR2, File E56412

### Electrical Ratings (Catalog Symbol, Amp Rating, and Color)

ATC-1	Black	ATC-5	Tan	ATC-20	Yellow
ATC-2	Gray	ATC-7½	Brown	ATC-25	Clear
ATC-3	Violet	ATC-10	Red	ATC-30	Green
ATC-4	Pink	ATC-15	Blue	ATC-40	Orange

### Shelf Carton Quantity and Weight

Fuse Type	Fuse Qty.	No. of Boxes	Wgt. (Lbs.)	Dimensions (Inches)	Volume (Cu. Ins.)
ATC	100	20 (5-in)	0.44	2.88 × 4.125 × 1.75	20.0

### Recommended Bussmann Fuseholders\*

Blade-Type	Part	Description	Fuse Size	Wire Size	Max Continuous Rating
ATC	HHC	Yellow Fuseholder	3-20 Amps	#16 Black Lead Wire	16 Amps
	HHF	Black Fuseholder w/cover	3-20 Amps	#16 Yellow Lead Wire	16 Amps
	HHD	Black Fuseholder	3-30 Amps	#12 Yellow Lead Wire	24 Amps
	HHG	Black Fuseholder w/cover	3-30 Amps	#12 Yellow Lead Wire	24 Amps
	HHD-C	Cover Only	—	—	—

\*Also used in Bussmann 15600 series fuse panels.

The only controlled copy of this BIF document is the electronic read-only version located on the Bussmann Network Drive. All other copies of this document are by definition uncontrolled. This bulletin is intended to clearly present comprehensive product data and provide technical information that will help the end user with design applications. Bussmann reserves the right, without notice, to change design or construction of any products and to discontinue or limit distribution of any products. Bussmann also reserves the right to change or update, without notice, any technical information contained in this bulletin. Once a product has been selected, it should be tested by the user in all possible applications.